



**CANADIAN LOGGERS
SPORTS ASSOCIATION**

RULES & REGULATIONS

**FIFTEENTH EDITION
2024**

The Canadian Loggers Sports Association Code of Conduct

1. All competitors must have a paid CANLOG Membership before competing.
2. All competitors and show officials must know and understand the rules and regulations of the Canadian Loggers Sports Association.
3. All competitors are expected to behave in a sportsmanlike manner conduct with all when speaking with CANLOG officials, show officials, volunteers, spectators and fellow competitors. Any unsportsmanlike conduct such as swearing, yelling, throwing of equipment, and/or using obscene gestures will not be tolerated.
4. All competitors are expected to behave and compete in a safe manner and are not to encourage any behaviours or practices that would endanger the health and wellbeing of their fellow competitors.
5. Disciplinary action for unsafe or unsportsmanlike conduct as deemed so by the majority of the Executive:

1st Infraction - Letter of Apology sent to all parties concerned

2nd Infraction - Immediate suspension for remainder of season and the next season plus a letter of apology

3rd Infraction - Lifetime ban from all CANLOG sanctioned competitions

CANLOG

General rules, regulations, and Guidelines for CANLOG	2
General rules and regulations for Championship logging shows.....	5
Novice and Advancement Rules.....	6
All-Round Trophy	8
Show recommendations.....	9
event rules, Regulations, & Guidelines	13
Event Name: Axe Throwing (20 ft or 40 ft)	13
Event Name: Birling (or Log Rolling).....	14
Event Name: Single Hand Bucking (or Single Buck)	17
Event Name: Double Hand Bucking (or Double Buck)	19
Event Name: Swede Sawing (or Bow Sawing).....	21
Event Name: Climbing (or Tree Climb)	23
Event Name: Climbing Tree Topping (or Tree Topping)	27
Event Name: Chainsaw Bucking (Hot Saw or Power Saw Bucking).....	30
Event Name: Chainsaw Chair Carving (or Chair Bucking).....	35
Event Name: Chainsaw Pole Falling (or Tree Falling)	37
Event Name: Accuracy Cut (or Grand Prairie Accuracy Cut)	40
Event Name: Chokermans Race (or Choker Race).....	42
Event Name: Chopping Underhand (or Horizontal)	43
Event Name: Chopping Standing Block (or Vertical Chop)	45
Event Name: Chopping Springboard (Jigger Board or Tree Felling)	47
Event Name: Chopping Hard Hit.....	49
Event Name: Chopping Pole Falling (or Hand Tree Falling)	51
Event Name: Eye Splicing.....	52
Event Name: Jousting	53
Event Name: Molly Hogan Race	54
Event Name: Obstacle Pole Bucking (or Obstacle Pole)	55
Event Name: Peavey Log Rolling (or PV Log Rolling)	60
Event Name: Rolling Pin Throw (or Rolling Pin Toss)	62
Event Name: Water Boil (or Kettle Boil)	63
Updates/ Notes	65

CANLOG

GENERAL RULES, REGULATIONS, AND GUIDELINES FOR CANLOG

1. To become a MEMBER of CANLOG a person must have signed up and paid the annual membership/family fee. Each member is eligible to compete in the yearly events and attend the Annual General Meeting (AGM).
2. An Executive shall be elected by the members at the AGM, for the positions of: Chairperson, First Vice Chairperson, (a Second Vice Chairperson), a Secretary, a Treasurer, and six Zone Field Reps. The terms of the executive will be two-year positions with the Chairperson, Secretary, and ½ of the Field Reps alternating with the terms of the First Vice Chairperson and the remainder of the Field Reps.
3. For a rule to be changed, deleted, or added it must be recommended by a majority of membership.
4. Ground rules must be printed on all entry forms. **CANLOG rules supersede all Show Ground rules.** Show centres must ensure they follow all CANLOG rules.
5. Show centres must provide a CANLOG approved judge to preside over their event.
6. One of the Executive Committee shall be made available to attend the sanctioned sports shows if required by the Executive, at the expense of that show and shall act in the interests of CANLOG in umpiring Championship events. They will act for CANLOG in an advisory capacity to ensure that the sports show is conducted in a manner compatible with proper logger's sports events. This person shall be called the CANLOG consultant and shall have the right to file notice of protest to local authorities on or after the date of the event. The championship WILL NOT be officially recognized until a review of the Notice of Protest by the Executive Committee. The consultant may be required to file a written report on the performance at the show.

CANLOG

7. The Executive shall have the authority to declare penalties against infractions of CANADIAN CHAMPIONSHIP and all other events.
8. For every Canadian Championship event held, a show centre must offer at least one NOVICE or INTERMEDIATE event. (Not necessarily the same event.)
9. There will be a \$100.00 initiation fee on joining CANLOG.
10. There will be annual dues from all sanctioned areas in the sum of \$150.00. This money to be used for Secretarial services, printing, and mailing etc. Dues to be payable January 1st of each year, in advance.
11. CANADIAN CHAMPIONSHIP events shall be awarded as follows: at the AGM each year:
 - Show centre representative must be present at the AGM to participate in draw unless extenuating circumstances occur. (e.g. pandemic)
 - Executive member shall draw a number from a hat and from the position drawn sequentially select championships – the selection process reverses itself at each pass.
 - Selection shall continue until no more championships are requested.
12. Member areas are required to send complete results and wood sizes to the secretary immediately following their show (or give the results to the zone Field Rep).
13. Associate Newsletter mailing is \$15.00 per year or free for paid up membership. (The publisher/editor is a voluntary position within the CANLOG society).
14. Canadian Championship minimum payout for first place is as follows: Open/Ladies \$300.00, Intermediate \$200.00, Novice \$200.00.
15. In events where competitors must qualify and are disqualified, the competitors shall be paid out regardless by splitting money evenly between disqualified competitors or based on qualifying times.

CANLOG

16. Show centres cannot limit the number of competitors in a Canadian Championship event prior to show entry deadline.
17. Disciplinary action for unsafe or unsportsmanlike conduct as deemed so by the majority of the Executive:

1st Infraction - Apology sent to all parties concerned.

2nd Infraction - Immediate suspension for remainder of season and the next season plus an apology.

3rd Infraction - Lifetime ban from all CANLOG sanctioned competitions.

CANLOG

GENERAL RULES AND REGULATIONS FOR CHAMPIONSHIP LOGGING SHOWS

1. It is the responsibility of the contestants to know the rules and their event numbers and position.
2. The decision of contest judges will be final in any and all matters pertaining to the contests and their rules. 2009 Video Review Trial – To launch a request for a video review the competitor must pay a fee of \$50.00 (payable to CANLOG). The competitor must speak to a CANLOG Field Rep to issue the challenge. The Field Rep then approaches the head judge to launch the challenge officially. Judge and 2 field rep's are to review video when there is a dispute if video if available. Note 4Video cannot be taken from within the limits of the arena without prior approval of the show centre. If the result is reversed the competitor will retain the fee. In the case that the results stand the competitor relinquishes the \$50.00 to CANLOG. Disputes must be lodged in a timely manner. The judge makes the final decision – except when there are three judges, in that case the majority rules.
3. It is recommended that one starter be used for contests and practice a cadence of "Timers ready, Contestants ready, One, Two, Go". For chainsaw contests once the cadence has started, and hands are on top of the log, the hands cannot be moved from the top of the log until "Go".
4. It is recommended that the type of wood and size to be used in the contests should be specified in the contest rules of every logging show.
5. "Clothing" Either black or white pants no shorter than halfway between the knee and ankle must be worn. NO SHORTS OR SWEATPANTS WHILE THE SHOW IS IN PROGRESS with the exception of Log Birling – black shorts are acceptable. SHIRTS MUST BE WORN.

CANLOG

6. A contestant or announcer MAY NOT be an OFFICIAL TIMER or JUDGE in any event in which they are participating.
7. Only OFFICIALS, or those competing or people with special permission may be allowed in the immediate area of the contest.
8. It is recommended for safety reasons that contestants must be 16 years old to compete, (except in axe throwing and log birling), unless accompanied by a guardian or coach.
9. In events where there are a limited number of entries allowed the competitors will be determined either by an elimination or a draw and this should be stated on the entry form.
10. Competitor's chopping/sawing/birling without permission from the Show Centres will be dealt with according to Canlog rules pertaining to discipline.

Novice and Advancement rules:

1. There shall be four divisions:
 - NOVICE MENS
 - NOVICE LADIES
 - INTERMEDIATE
 - OPEN
 - LADIES
2. If desired a show may hold a "local Novice division" open to contestants from a given local area only.
3. Contestants may enter one division per event only. This rule shall not prevent a local novice contestant from entering one other division.

CANLOG

4. To advance to the next division you must win an event, in one single division at least three times. In addition, each year the executive will review all those individuals eligible to move up to determine if they are ready to move ahead.
5. In the case of a show not holding an event in the competitor's assigned division, contestants may enter a higher division than they are presently rated at, but not lower. If a contestant enters a higher category event and wins 1st, this will be their new rating effective immediately.
6. Contestants who have been advanced from Intermediate to Open under 3 and 4 may apply to move back to Intermediate at the end of the following year if they have seriously competed and not won 1st, 2nd or 3rd that year. (Example: Win Intermediate June 2015 – compete Intermediate for balance of 20154 compete Open during 2016 without placing 1st, 2nd or 3rd. You may apply to move down to Intermediate for the 2017 season.)
7. The above advancement rules shall not apply to contestants under 16 years old. Until age 16 contestants may remain in the division of their choice provided that children may be required to compete in their division if it is available.
8. "Golden Rule" – If an Open competitor over 55 years does not win a 1st, 2nd or 3rd place in a season, then they may move to an Intermediate ranking the following year and if they do not win a 1st, 2nd or 3rd as an Intermediate competitor they may move to a Novice ranking the following year. This rule only applies to competitors that compete in a minimum of 5 shows per year. (Example: Compete in Open in 2015 and don't place 1st, 2nd or 3rd, in 2016 move to Intermediate and don't place 1st, 2nd or 3rd, in 2017 they have the option of staying Intermediate or moving to Novice.)

CANLOG

9. If 15 years old as of Jan. 1st, the contestant may compete as Novice for that entire season.
10. Contestants without a rating record shall be assigned their division by the field reps and judges. International competitors will be classed as Open unless vouched for by a Canlog member.
11. The CANLOG rules committee shall have the power to classify or re-classify any contestant in the interest of fairness to all contestants.
12. Rating sheets will be made available to each contestant by January 31st of each year.

All-round Trophy:

1. Points will be given in all events as follows:
 - FIRST 5 Points
 - SECOND 3 Points
 - THIRD 2 Points
 - FOURTH 1 Point
 - 1.1 In the event of a tie at the finish, the contestant who has amassed the most 1st place points will be the winner.
2. If there is still a tie the contestant with the most 2nd place points will be the winner, etc.
3. In 2 or 3 person events, earned points shall be equal between the two or three team members. (If they take 1st – they all will get 5 points, etc.)
4. In awarding points for All4round Logger, points earned in one (1) division may not be credited in any other division.

CANLOG

SHOW RECOMMENDATIONS

1. Entry forms should be mailed out with adequate time for competitor to mail back to the show.
2. Where there are a limited number of entries accepted for an event, the show centre will provide an elimination, or a draw will be made to decide who gets the positions the day of the show. This will give all competitors who enter an equal chance for the positions.
3. The competition area must be roped or fenced off from the general public.
4. There should be a First Aid Officer with a vehicle in attendance.
5. A whistle will be used by the head judge to clear the field before an event starts.
6. All chopping blocks should be numbered from 1-100+ (as opposed to OPUN 9, InSp 10, OP11). This will prevent similarly numbered blocks from different events being taken.
7. All chopping events should have a three minute time limit.
8. A competitor may be stopped prior to the three minute mark if the show official or designate has safety concern over performance.

CANLOG

9. 4" nails (minimum) or rubber bands be available for competitors to use for slabbing rules.
10. Recommended minimum dimension stand placement as follows:
 - Standing Block Event - 4 metres apart
 - Underhand Event - 3 metres apart, angle 45°
 - Springboard Event - 4 metres apart
11. Maximum taper in climbing trees is 1 in. per 10 climbing feet.
12. All heats/finals of Canadian Championship events should be videotaped where possible.
13. Wood for each final and/or heat in Canadian Championship events should be taken from the same tree.
14. Bucking stands should be offset or angled so competitors are not directly in line with the next person.
15. Where possible a family area should be designated for competitors' families to safely watch the show.

CANLOG

COMMON SAFETY RULES

1. All axes and handsaws must be covered/sheathed when carried at the show. The exception is throwing axes which may remain unsheathed.
2. Chain guards must be in place for all chainsaws when the saws are being moved in and around the show centre.
3. WorkSafeBC or Federal Agency approved LEG PROTECTION is MANDATORY in all chainsaw events and must be supplied by contestant. The exception is the Obstacle Pole Bucking event (refer to event safety recommendations).
4. Eye and Ear protection is recommended in all Chainsaw events. The Head Judge may stipulate as MANDATORY for individual events.
5. For chopping events Leg and Foot protection is MANDATORY for LADIES and NOVICE competitors. Leg and Foot protection for INTERMEDIATE and OPEN competitors is recommended for all chopping events.
6. A show centre may supersede Canlog safety rules in the interest of increased safety but must meet at a minimum the safety rules set out in the rule book.

CANLOG

7. Show centres reserve the right to deny competitors the opportunity to compete.
8. The head judge may stop a contestant during an event if safety or competency is in question. Further the head judge may prohibit a contestant from competing in an event if competency in that event has not been established.

CANLOG

EVENT RULES, REGULATIONS, & GUIDELINES

EVENT NAME: AXE THROWING (20 ft or 40 ft)

1. Event Rules

- 1.1 The event STARTS when cleared by the Judge.
- 1.2 The event STOPS after completing throws.
- 1.3 Contestant must take one practice throw at the competitive target, then 3 qualifying throws.
- 1.4 Scored 5,4,3,2, and 1 from bull's eye out.
- 1.5 Best total of the three qualifying throws wins.
- 1.6 Axe need only cut outer edge of line of scoring area to win points; any part of blade makes score in area.
- 1.7 Axe must stick in target to count.
- 1.8 The leading edge of the axe shall be the scoring edge.
- 1.9 If both edges of axe stick in target, throw is disqualified.
- 1.10 Feet may not cross the line until the axe hits the target.
- 1.11 Judging must be done and scored before axe is removed.
- 1.12 Practicing on competitive targets means automatic disqualification.
- 1.13 All axes must be pinned through the axe head and handle.

CANLOG

2. Equipment / Material Specifications

- 2.1 See event drawing. (Axe Throwing)
- 2.2 Axe must be double bitted, of a safe design, with a 24 in. minimum overall length handle, including axe head, and the face of the blade shall not exceed 6 in.
- 2.3 Target 36 in. in diameter. (Approximately)
- 2.4 Target should be free of visual knots on the target face.
- 2.5 Centre of target 60 in. from the ground.
- 2.6 5 scoring areas 4 inches in width.
- 2.7 Throwing line 20 ft from centre of the bull's eye down at an angle to the line for a 20 ft event or 40 ft from the centre of the bull's eye down at an angle to the line for the 40 ft event.

3. Show Centre Recommendations

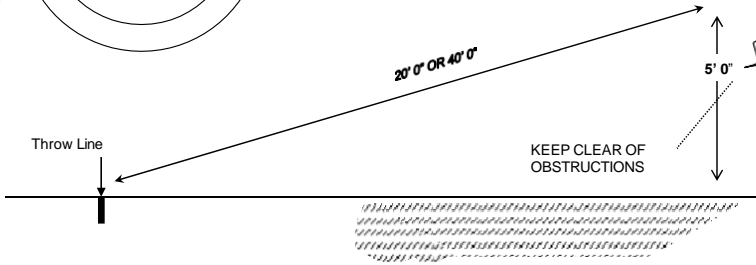
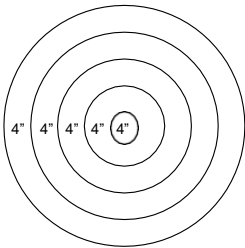
- 3.1 Practice target should be provided.
- 3.2 Targets should be set up on level ground.

4. Safety Recommendations

- 4.1 Area behind targets should be kept clear.

AXE THROWING

FRONT VIEW OF TARGET



CANLOG

EVENT NAME: BIRLING (or Log Rolling)

1. Event Rules

- 1.1 Both birlers on log holding steadying poles. Log to be pushed well clear of pool edge.
- 1.2 JUDGE call "Steady the log" when both birlers are set. The Judge then calls "throw your poles". When both birlers have dropped poles and have their balance the Judge calls "time in".
- 1.3 Contest to stop and be restarted at time remaining if log nears obstacle or pond sides.
- 1.4 The first birler losing contact with the log with both feet or stepping over the foul line is the loser.
- 1.5 Deliberate splashing of water before TIME IN is called will result in loss of fall to the guilty contestant.
- 1.6 Contestant will draw for order of appearance.
- 1.7 In as much as this is a bracketed event; there will be some "byes".
- 1.8 Upon agreement of the birlers, contestants may be seeded to a maximum of 4 birlers. In the event there is a disagreement it is at the discretion of the show centre.
- 1.9 The loser of any fall shall have the choice of end of log for the next fall.
- 1.10 The TOTAL "time in" on log, including all falls, shall be used in the determination of when to move to a smaller log.
- 1.11 If both contestants and Judge agree they may move to a smaller log but may not move up to a larger log once the time limit is used up.

CANLOG

2. Equipment / Material Specifications

- 2.1 Log to be lathe turned red cedar, 12 or 13 feet in length with a 4-inch red band painted in the middle.
- 2.1 A four-inch blue band shall be painted on each side of the red band as well as on each end of the log.
- 2.2 # 1 LOG: Seventeen-inch diameter to be used for Novice and Local competitions and is optional for the Open division. 2-minute time limit.
- 2.3 # 2 LOG: Fifteen inch, this can be the starting or second log for open competition. 2-minute time limit.
- 2.4 # 3 LOG: Thirteen- and one-half inch diameter. 3-minute time limit.
- 2.5 # 4 LOG: Twelve-inch diameter (if needed). NO TIME LIMIT TO THE FINISH.
- 2.6 During the main show, the contestant must be attired in shirts. Black shorts are acceptable in log birling or any other pants as described in Rule 5 of the General Rules and Regulations for a Championship Logging Show.

3. Show Centre Recommendations

- 3.1 Championship birling logs must be in near new condition.
- 3.2 It is recommended that all new logs be 13 feet in length.

CANLOG

- 3.3 Draw for random positions on the bracket sheet. (Canadian Championships) A modified bracket sheet to allow for a Double Knockout system can be used.
- 3.4 If birlers cannot agree on log ends for the first match a coin toss can be used.
- 3.5 Each contestant to have a maximum of 60 seconds warm up time on the first log.
- 3.6 Each contestant to have a maximum of 30 seconds warm up time on the second log.

4. Safety Recommendations

- 4.1 Try to avoid having knots in the main running area of the log.
- 4.2 Remove knots as they appear and soften with an axe.
- 4.3 Try to have a clean non-abrasive area for birlers to walk.

CANLOG

EVENT NAME: SINGLE HAND BUCKING (or Single Buck)

1. Event Rules

- 1.1 The event starts on the word GO – STOPS when the log ring is severed.
- 1.2 The type of saws to be used must be stated on the entry form.
- 1.3 The sawing ring is deemed to be cut as long as it or the block on the stand does not show a slab greater than 1/2 inch.
- 1.4 Starting cut shall be equal and determined by two horizontal lines placed on the log, starting cut may not exceed the distance between lines.
- 1.5 Starting cuts may not be required when sized-machined wood is used. (HOT START).
- 1.6 Saw must cut completely through log and saw must not be used to pry the cut.
- 1.7 Cuts to be made within the area designated by Judge.
- 1.8 Each contestant will be allowed a "second" or manager to oil the saw, put in wedges, etc.
- 1.9 The second must not touch the saw after the words "Contestant Ready" and can only drive wedge as is necessary and shall not touch or guide portion of the log that is being cut off.
- 1.10 The wedge must not be worked back and forth.
- 1.11 In this event the free end of the saw must be free of handle or weight.

CANLOG

2. Equipment / Material Specifications

- 2.1 Height of sawing log should be between 32 – 36 inches to the top of the log.
- 2.2 **Novice** hand bucking competitions are to be restricted to the use of Traditional Peg and Raker Saws only. **intermediate** competitions are restricted to the use of Traditional Peg and Raker, or M-Tooth saws. For **open** and **ladies'** competitions, any manufactured or handmade saw may be used if there are no stipulations made by the show centres.
- 2.3 Cutting areas should be free of knots.

3. Show Centre Recommendations

- 3.1 Try to get all the wood for the competition from the same tree.
- 3.2 Indicate on the entry form the wood species and size.
- 3.3 When possible, the entry form should indicate use of a starting cut or HOT START
- 3.4 16 inches and larger diameter logs are to be used when possible. (20"-22"-24")
- 3.5 Avoid use of Cottonwood and Balsam when possible.

4. Safety Recommendations

- 4.1 Second shall stand on the support side of the saw log.

CANLOG

EVENT NAME: DOUBLE HAND BUCKING & JACK & JILL (or Double Buck)

1. Event Rules

- 1.1 The event starts on the word GO – STOPS when the log ring is severed.
- 1.2 Both contestants must not hold a rating higher than the division they are competing in.
- 1.3 The sawing ring is deemed to be cut as long as it or the block on the stand does not show a slab greater than ½ inch.
- 1.4 Starting cut shall be equal and determined by two horizontal lines placed on the log, starting cut may not exceed the distance between lines.
- 1.5 Starting cuts may not be required when sized/machined wood is used. (HOT START).
- 1.6 Saw must cut completely through log and saw must not be used to pry the cut.
- 1.7 Cuts to be made within the area designated by Judge.
- 1.8 Each team will be allowed a "second" or manager to oil the saw, put in wedges, etc.
- 1.9 The second must not touch the saw after the words "Contestant Ready" and can only drive wedge as is necessary and shall not touch or guide portion of the log that is being cut off.
- 1.10 The wedge must not be worked back and forth.

CANLOG

2. Equipment / Material Specifications

- 2.1 Height of sawing log should be between 32 – 36 inches to the top of the log.
- 2.1 Cutting areas should be free of knots.
- 2.2 Novice hand bucking competitions are to be restricted to the use of Traditional Peg and Raker Saws only. Intermediate competitions may use an M-Tooth saw. For Open and Ladies competitions, when there are no stipulations, any manufactured or handmade saw may be used
- 2.3 The type of saws to be used must be stated on the entry form.

3. Show Centre Recommendations

- 3.1 Try to get all the wood for the competition from the same tree.
- 3.2 Indicate on the entry form the wood species and size.
- 3.3 When possible, the entry form should indicate use of a starting cut or HOT START
- 3.4 16 inches and larger diameter logs are to be used when possible. (20"-22"-24")
- 3.5 Avoid use of Cottonwood and Balsam when possible.

4. Safety Recommendations

- 4.1 Second shall stand on the support side of the saw log.

CANLOG

EVENT NAME: SWEDE SAWING (or Bow Sawing)

1. Event Rules

- 1.1 The event starts on the word GO – STOPS when the log ring is severed.
- 1.2 The saw may be resting on the top of the log at the start of the event.
- 1.3 No starting cuts or marks are to be used.
- 1.4 The saw blade should not exceed 48 inches in length and 1 1/2 inches in width.
- 1.5 The blade can be factory or handmade.
- 1.6 The saw frame must be of original factory manufacture 48 inches long.
- 1.7 The sawing ring is deemed to be cut as long as it or the block on the stand does not show a slab greater than 1/2 inch.
- 1.8 Saw must cut completely through log and saw must not be used to pry the cut.
- 1.9 Cuts to be made within the area designated by Judge.

CANLOG

2. Equipment / Material Specifications

- 2.1 8 inch diameter logs.
- 2.2 Centre line of the log to be 24 inches off the ground.
- 2.3 Cutting areas should be free of knots.

3. Show Centre Recommendations

- 3.1 Try to get all the wood for the competition from the same tree.
- 3.2 Indicate on the entry form the wood species and size.
- 3.3 Oiling should be restricted to saw and not the wood.

4. Safety recommendations

- 4.1 Handsaws should be covered when carried at the show.

CANLOG

EVENT NAME: CLIMBING (or Tree Climb)

1. Event Rules

- 1.1 Contestant must have at least one foot on the crash pad at the word "GO"
- 1.2 Upon start, contestant must climb until he rings the bell with his person or some part of his equipment.
- 1.3 Timing ends upon returning to the ground (Crash Pads).
- 1.4 No slips of more than 20 feet will be permitted.
- 1.5 At least one spur must touch the tree every 20 feet.
- 1.6 A ring is to be painted on the tree(s) 20 feet from the top of the crash pad(s).
- 1.7 Open Championship trees must be a minimum of 80 ft. to the bell with 16"-18" top diameter, with or without bark. The recommended climbing height for Intermediate is a 60 ft. 2 way climb, and for Novice 60 feet one-way.
- 1.8 Crash pads must be provided at the base of the tree.
- 1.9 Pads must be filled with foam rubber or similar material, minimum 2 ft deep, overall minimum size 8 ft. square
- 1.10 No marks to be on tree, other than the 20', 60', 80', 100' lines.

CANLOG

2. Equipment / Material Specifications

- 2.1 Climbing rope must be at least 1-inch-7/8-inch in diameter with steel core.
- 2.2 Any high top, 5 in. (excluding tongue) manufactured footwear of climber's own choice. The measurement will be from bottom of the heel to top of boot at the back of the leg. Where footwear does not reach a 5 in. to top the competitor must wear lace up ankle braces on their ankles.
- 2.1 Gloves, Spur Shincup, Spur Gaff, and Climbing Belt, may be of the climber's own design.
- 2.2 TROMBONE or TOE SPURs are allowed in the Intermediate and Open Divisions. (Trombone spur must be equipped with a stop to prevent shank from separating).
- 2.3 Novice division must use the traditional standard shaped shank no wider than 2 inches. Reinforcement will be allowed along the length of the shank.
- 2.4 Only one spur per foot is allowed.
- 2.5 Novice climbing events will include the use of a belay system & instructions for use. All of which are provided by Canlog

CANLOG

3. Show Centre Recommendations

- a. The tree top should measure 16" – 18" in diameter, with or without bark.
- b. Championship trees are recommended to be a minimum of 80 ft. to the bell.

4. Safety

- a. Top of trees shall be equipped with guy wires or device to prevent climber's rope from going over the top of the tree.
- b. Spurs must be of safe design.
- c. Trees to be free of staples, nails, and foreign objects.
- d. Guy lines – trees should be installed in such a manner that they are supported by two methods: the first from the base of the tree (e.g. placed in an appropriate socket system and one the second from the top of the tree (e.g. appropriate guidelines).
- e. Condition of trees – Tree condition should be monitored/inspected in its entirety annually at a minimum. As the trees age, these inspections must be closely scrutinized to ensure that the trees remain in a sound condition.

CANLOG

- f. Life span of climbing tree – Generally, the expected life span for a climbing tree is 10 years.
- g. Tree act guideline – Appropriate guy lines and equipment that will support the extra stress and loading produced during the tree act must be installed or in place. For example, at a minimum there is an appropriate backline installed 180° from the direction of the zip line.
- h. Maximum taper for climbing trees of 1" per 10 climbing feet.

CANLOG

EVENT NAME: CLIMBING TREE TOPPING (or Tree Topping)

1. Event Rules

- 1.1 Contestant must have at least one foot on the crash pad at the word "GO"
- 1.2 Timing will begin on the word GO.
- 1.3 Timing ends when the cut hits the ground.
- 1.4 The contestant must make the cut in the starting cut nearest the top of the tree.
- 1.5 Cut must be sawn and not pried off.
- 1.6 A hand crosscut saw must be used.
- 1.7 Saw handle, saw rope, saw tether and length of saw may be of climber's own design.
- 1.8 Saw tether must be of safe design, attached to saw and secured to climbing belt.
- 1.9 Secondary pre-tied ropes used for tie-ins will not be allowed.
- 1.10 If it is necessary to pass over guy lines, two ropes must be used since one rope must be tied at all times.

2. Equipment / Material Specifications

- 2.1 Climbing rope must be at least 1 & 7/8 inch in diameter with steel core.

CANLOG

- 2.2 Any high top, 5 in. (excluding tongue) manufactured footwear of climber's own choice. The measurement will be from bottom of the heel to top of boot at the back of the leg. Where footwear does not reach a 5 in. to top the competitor must wear lace up ankle braces on their ankles.
- 2.2.1 Gloves, Spur Shincup, Spur Gaff, and Climbing Belt, may be of the climber's own design.
 - 2.2.2 TROMBONE or TOE SPUR is to be allowed. (Trombone spur must be equipped with a stop to prevent shank from separating).
 - 2.2.3 Only one spur per foot is allowed.
 - 2.2.4 The spur must be of safe design.
 - 2.2.5 Championship trees must be a minimum of 80 ft. to the top with 16" – 17" diameter, with or without bark.
 - 2.2.6 Top of trees shall be equipped with guy wires or device to prevent climber's rope from going over the top of the tree.
 - 2.2.7 Crash pads must be provided at the base of the tree.
 - 2.2.8 Pads must be filled with foam rubber or similar material, minimum 2 ft. deep. Overall minimum size 8 ft. square.
 - 2.2.9 Starting cuts are to be installed at the top of the tree, prior to the contest.
 - 2.2.10 Starting cuts are to be 2 inches apart and strung for circumference to provide an equal amount of wood for each contestant.

CANLOG

3. Show Centre Recommendations

3.1 Indicate on entry forms the wood size and type.

4. Safety

4.1 Keep the area below the climbing trees well clear of people during the event.

4.2 The contestant may be required to lower the safety rope after the cut has been made to clear the starting cut for the next contestant.

4.3 A slab is defined as that portion of the log which is dislodged as a result of a run to saw cut but must measure 1/2" or over in thickness at the end of the saw cut.

4.4 Guy lines – trees should be installed in such a manner that they are supported by two methods: the first from the base of the tree (e.g. placed in an appropriate socket system and one the second from the top of the tree (e.g. appropriate guidelines).

4.5 Condition of trees – Tree condition should be monitored/inspected in its entirety annually at a minimum. As the trees age, these inspections must be closely scrutinized to ensure that the trees remain in a sound condition.

4.6 Lifespan of climbing tree – Generally, the expected life span for a climbing tree is 10 years.

4.7 Maximum taper for climbing trees of 1" per 10 climbing feet.

CANLOG

EVENT NAME: CHAIN SAW BUCKING (Stock Saw, 100cc, 140cc, Unlimited Hot Saw)

1. Event Rules

- 1.1 The event starts on the word "GO".
- 1.2 The event time STOPS with the specified sequence of rings and when the last ring is severed.
- 1.3 Contestant to make specified number of complete cuts in allotted cutting area.
- 1.4 Cuts not to be pried off.
- 1.5 A slab is defined as that portion of the log, which is dislodged as a result of a saw cut but must measure 1/2" or over in thickness at the end of saw cut.
- 1.6 Except during stated competition, chainsaws may not be run while show is in progress. A warmup place and time will be provided during the show. Any saws run during the show except as described above will be automatically DISQUALIFIED.
- 1.7 No delays will be allowed due to mechanical failures of chain saws.
- 1.8 A line shall be marked lengthwise on top of sawing log.
- 1.9 A jig or template will be provided to stop the saw moving around on the ground in the case of a "hot" start.
- 1.10 Both hands must be in contact with this line at the word "GO".
- 1.11 No guide marks allowed on log.

CANLOG

- 1.12 All covers must be in place when the saw enters arena and remain in place until cuts are complete. (Timing has stopped)
- 1.13 A 1/4" hole may be drilled in the cover to facilitate priming gasoline or WD40.
- 1.14 A one minute warm up will be given prior to each event's heat.
- 1.15 A cut is deemed legal if there is evidence of a complete disc and the disc can be passed through a premeasured gate.
- 1.16 When multiple cuts are completed, discs are to be stacked on top of each other, aligning the horizontal line. If the combined total of discs and thickness is not greater than specified at any point, it is a legal cut.
- 1.17 Chainsaws can be used by no more than two competitors in the same division. The show centre must be notified at either registration or on the entry form that competitors are sharing the equipment.
- 1.18 Plexiglass™ or steel mesh safety screens must be used in front of each contestant.
- 1.19 For Unlimited hot saws only – Stihl Timbersports rules will apply with the exception that a peg to stop chain is not required.
- 1.20 Unlimited hot saws – competitors are allowed to mark guidelines within the maximum allowable cut.

CANLOG

2. Equipment / Material Specifications

- 2.1 Saw must be hand started (no Wind up or Automatic starters) during the event. (excludes group warm up)
- 2.2 Size of log to be cut must be specified on the entry forms.
- 2.3 Maximum C.C. of saw to be specified on the entry forms.
- 2.4 DEFINITION OF STOCK OR BUSH CHAIN SAW must be factory original. NO modifications allowed.
- 2.5 DEFINITION OF STOCK APPEARING:
 - 2.6.1 Saw must be standard factory built as a chain saw, with a stock appearing one (1) piece cylinder.
 - 2.6.2 All covers must be as original and completely in place.
 - 2.6.3 Carburetor and internal modifications are allowed provided they are within the above rules and are not visible outside the covers.
 - 2.6.4 The cylinder and the head may NOT be externally modified.
 - 2.6.5 Muffler screen may be removed but must be stock appearing on the outside.
 - 2.6.6 No holes or extra outlet to be put in the muffler.
 - 2.6.7 No outside assembly type filter systems allowed.
- 2.7 If a tuned exhaust is permitted it must be specified on the entry forms.

CANLOG

- 2.8 No covers or handlebars may be cut away to facilitate mounting, bracing may be done by clamping cover to handlebars, or drilling and bolting to frame or covers.
- 2.9 Fuel must be uncompressed fuel or fuel mixture (eg. no NOS)
- 2.10 Minimum width of gate for a single cut event chainsaw is 1 1/4".
- 2.11 If the starting cord is detachable, it must be tethered.

3. Show Centre Recommendations

- 3.1 Recommended saw size categories are: Max: 70cc Max: 100cc Max: 140cc
- 3.2 Common event (Open Hot Saw) (One Cut – UP or DOWN any order) OPEN (Max. 2" Ring) (18"-24" wood)
- 3.3 Common event (Open Hot Saw) (Two Cuts – 1 UP – 1 DOWN) OPEN (Max. 4" Ring Stack) (18"-24" wood)
- 3.4 Common event (Stock Appearing Saw with Tuned Exhaust) (Three Cuts – DOWN-UP-DOWN) ALL CAT. (Max. 4" Ring Stack) (12"-16" wood)
- 3.5 Common event (Stock Appearing Saw) (Three Cuts – DOWN-UP-DOWN) ALL CAT. (Max. 4" Ring Stack) (12"-16" wood)
- 3.6 Common event (Stock Power Saw) (Any of the above combinations) ALL CAT.
- 3.7 Whatever the elimination rules are should be mirrored in

CANLOG

the final. Recommended for show centres to keep it consistent (ie. 1 cut vs 2 cuts)

- 3.8 Recommended for Novice power saw events that the saw should be started on the ground. Recommendation for shows to keep it consistent. Common events (Chainsaw Boring) (A second line is printed 12" above the first line on the side of the log facing away from the competitor) (Contestant must bore through log and come out between the lines then cut up and then down to finish the cut)
- 3.9 State on the entry for which CHAINSAW EVENT – CHAIN SAW SIZE – CATEGORY and WOOD SIZE to be used.
- 3.10 For saws running on alcohol allow a 10 minute period for saws to be flushed immediately following the event.

4. Safety Recommendations

- 4.8 Bucking logs be placed far enough apart, and away from the crowd, and/or safety guards should be used.
- 4.9 If a wood chip is to be placed under the saw it must be under the saw by at least 1".
- 4.10 The gate cookies must pass through in one cut events should be bolted or in some way fastened so they cannot shift.
- 4.11 Shows holding an Unlimited hot saw event must have a 100 or 140 cc event as well.
- 4.12 An assistant is allowed during the warm up if they have are wearing the appropriate safety equipment (eye and hearing protection).

CANLOG

EVENT NAME: CHAINSAW CHAIR CARVING (or Chair Bucking)

1. Event Rules

- 1.1 The event starts on the word "GO".
- 1.2 Time limit of 4 1/2 minutes.
- 1.3 Contestant will be allowed any saw.
- 1.4 Chair to be cut out of round block, which will be secured in an upright position.
- 1.5 Judges committee will decide the winner based on design and neatness, or by crowd/spectator voting.
- 1.6 Except during stated competition, chainsaws may not be run while show is in progress.
- 1.7 No delays will be allowed due to mechanical failures of chain saws.
- 1.8 A one minute warm up will be given prior to each event heat.

2. Equipment / Material Specifications

- 2.1 Block to be approximately 12 inches in diameter and 30 inches long.

CANLOG

3. Show Centre Recommendations

- 3.1 Species of log should be identified.
- 3.2 Stage the event close in front of the crowd with blocks equally disbursed.

4. Safety Recommendations

- 4.1 Use of small C.C. chain saws is recommended.
- 4.2 An assistant is allowed during the warmup if they have are wearing the appropriate safety equipment (eye and hearing protection).

CANLOG

EVENT NAME: CHAINSAW POLE FALLING (or Tree Falling)

1. Event Rules

- 1.1 The event starts on the word "GO" from a given position or line.
- 1.2 The event time STOPS when the Pole (Tree) touches the ground.
- 1.3 One man per chain saw only.
- 1.4 Pole must be properly felled to WorkSafeBC standards.
- 1.5 Pole must hit the peg to qualify.
- 1.6 Pole (log) must not roll onto the peg.
- 1.7 The peg should be 10 in. to 12 in. length and no wider than 12 inches.
- 1.8 The Poles should be of the same length and the pegs a common distance from bottom of the pole.
- 1.9 All cuts must be below a given mark or line.
- 1.10 First initial cut will, at minimum, bury the BAR AND CHAIN.
- 1.11 Except during stated competition, chainsaws may not be run while show is in progress.
- 1.12 No delays will be allowed due to mechanical failures of chain saws.
- 1.13 Each competitor will be allowed to make chalk marks on his pole and tree before starting.
- 1.14 All covers must be in place when the saw enters arena and remain in place until cuts are complete. (Timing has stopped)

CANLOG

- 1.15 A 1/4" inch hole may be drilled in the cover to facilitate priming gasoline or WD 40.
- 1.16 A one-minute warm-up will be given prior to each event heat.
- 1.17 Chainsaws used in Pole Falling can only be used by one contestant per event.

2. Equipment / Material Specifications

- 2.1 Saw must be hand started (no Wind-up or automatic starters).
- 2.2 In all chainsaw events, one man saw, with one cylinder, max. 140 C.C. stock displacement, one carburetor. (Except the OPEN HOT SAW where multiple carburetion is allowed.)
- 2.3 Size of log to be cut must be specified on the entry forms.
- 2.4 Maximum C.C. of saw to be specified on the entry forms.
- 2.5 DEFINITION OF STOCK OR BUSH CHAINSAW must be factory original. No modifications allowed.
- 2.6 DEFINITION OF STOCK APPEARING
 - 2.6.1 Saw must be standard factory built as a chainsaw, with a stock appearing one-piece cylinder.
 - 2.6.2 All covers must be as original and completely in place.
 - 2.6.3 Carburetor and internal modifications are allowed provided they are within the above rules and are not visible outside the covers.
 - 2.6.4 The cylinder and the head may NOT be externally modified.

CANLOG

- 2.6.5 Muffler screen may be removed but must be stock appearing on the outside.
- 2.6.6 No holes or extra outlet to be put in the muffler.
- 2.6.7 No outside assembly type Filter systems allowed.
- 2.7 If a tuned exhaust is permitted it must be specified on the entry forms.
 - 2.7.1 No covers or handlebars may be cut away to facilitate mounting, bracing may be done by clamping to handle bars, or drilling and bolting to frame or covers.

3. Show Centre Recommendations

- 3.1 Recommended saw size categories are Max: 70 c.c. Max: 100 c.c. Max: 140 c.c.
- 3.2 Recommended saw (Stock appearing saw) or (Stock power saw).
- 3.3 State on the entry form which CHAIN SAW CATEGORY & CHAIN SAW SIZE.
- 3.4 In the case when there is more contestants than positions, then a draw for those positions should be held.

4. Safety Recommendations

- 4.1 Chain guards must be in place when saws are being moved in and around show centre.
- 4.2 Face and Ear protection is recommended in all Chain Saw Events.
- 4.3 An assistant is allowed during the warmup if they have are wearing the appropriate safety equipment (eye and hearing protection).

CANLOG

EVENT NAME: ACCURACY CUT (or Grand Prairie Accuracy Cut)

1. Event Rules

- 1.1 The event starts on the word "GO".
- 1.2 Time stops when contestant throws hands in air.
- 1.3 The object of this event is for the contestant to demonstrate his skill with a chainsaw by completing a series of cuts on a log.
- 1.4 Cut four discs which, when stacked on top of one another, will measure not less than 4" and not more than 6" in height.
- 1.5 Cut a notch in the log not less than 3" wide and not less than half the diameter of the log in depth.
- 1.6 Cut off a section of log not less than 18" long but not more than 24" (the notch to be included in the section).
- 1.7 Cut a ledge on the remaining piece, using 2 cuts.
- 1.8 Stack the 4 discs and the 18" to 24" section on top of each other on the ledge. The 4 discs must be placed on the bottom of the stack.
- 1.9 The stack must stand. If it does, the time will be stopped and recorded. (3 sec)
- 1.10 Except during stated competition, chainsaws may not be run while show is in progress.
- 1.11 No delays will be allowed due to mechanical failures of chain saws.
- 1.12 A one-minute warm-up will be given prior to each event heat.

CANLOG

2. Equipment / Material Specifications

2.1 Species of log should be identified on entry form.

3. Show Centre Recommendations

3.1 Recommended that a GROUND RULE permits a PIECE OF PLYWOOD BE PUT ON THE GROUND AND/OR A CHAIN BRAKE BE USED TO STOP CHAIN.

3.2 State the chain saw requirements on the entry form.

4. Safety Recommendations

4.1 That the bucking logs be placed far enough apart and away from the crowd and/or safety guards should be used.

4.2 An assistant is allowed during the warmup if they have are wearing the appropriate safety equipment (eye and hearing protection).

CANLOG

EVENT NAME: CHOKERMANS RACE (or Choker Race)

1. Event Rules

- 1.1 The event starts on the word "GO" from a given position or line.
- 1.2 The event time STOPS after returning to the starting point.
- 1.3 Contestant must race from the starting point with supplied new or near new chokers.
- 1.4 Over designated course, set choker on log and return over the course to the starting point.
- 1.5 Caulk footwear must be worn. (Exception Competitors are not required to wear caulked footwear if they are not required to cross a water obstacle).
- 1.6 Judge shall pull free end of choker if it comes undone contestant will be disqualified.

2. Equipment / Material Specifications

- 2.1 Size of chokers and the arrangement of the course and obstacles will be the option of the Show Centre.
- 2.2 Chokers should be the same weight, length, and size per event.

3. Show Centre Recommendations

- 3.1 When running two or more contestants at once make the choker race courses the same in length and obstacle.
- 3.2 Try to use chokers that have Knobs on both ends for left and right hand carrying.

4. Safety Recommendations

- 4.1 Keep the course clear of unrelated equipment.

CANLOG

EVENT NAME: CHOPPING UNDERHAND (or Horizontal)

1. Event Rules

- 1.1 The event starts on the word "GO" – STOPS when the LOG (Block) is completely severed by a blow of the axe while contestant is standing on the log (Block).
- 1.2 Logs not to be cut through from one side only and must be chopped clean.
- 1.3 In all wood chopping events, any competitor SLABBING his block will be DISQUALIFIED, unless they have taken precautionary measures approved by the Official (Judge) with the use of rubber bands or nails.
- 1.4 A slab is defined as that portion of the log which is dislodged as a result of a run to sawcut or foothold but must measure 1/2" or over in thickness at the end of a saw cut.
- 1.5 Each competitor will be allowed to make chalk marks on their log before starting but may not use an axe to mark the block, or strike the block, within the marked cutting area.
- 1.6 Competitors are allowed to make footholds, using an axe, outside of the marked cutting area.
- 1.7 Any competitor cutting across or into the corner of a foothold will be DISQUALIFIED.
- 1.8 Logs (Blocks) must be secured at outside edge of stand.
- 1.9 Blocks must be completely severed with axe. A competitor cannot pull log with an axe, kick log with foot while on it, or chop log while standing on ground.

CANLOG

2. Equipment / Material Specifications

- 2.1 Underhand blocks must be a minimum of 11 inches.
- 2.2 All axes must be pinned through the axe head and handle.

3. Show Centre Recommendations

- 3.1 It is recommended that chopping blocks be between 11" – 14" diameter and be free of knots in the chopping area.
- 3.2 Larger diameter blocks may be used in team events.
- 3.3 Cradles and supplies for the underhand are supplied/organized by the Show Centre.

4. Safety Recommendations

- 4.1 Cradles must be stable as not to tip over when Log (Block) is severed.

CANLOG

EVENT NAME: CHOPPING STANDING BLOCK (or Vertical Chop)

1. Event Rules

- 1.1 The event starts on the word "GO" – STOPS when the TOP (Block) is severed.
- 1.2 Logs not to be cut through from one side only and must be chopped clean.
- 1.3 In all wood chopping events, any competitor SLABBING his block will be DISQUALIFIED, unless he has taken precautionary measures approved by the Official (Judge) with the use of rubber bands or nails.
- 1.4 A slab is defined as that portion of the log which is dislodged as a result of a run to sawcut or foothold but must measure 1/2" or over in thickness at the end of a saw cut.
- 1.5 Each competitor will be allowed to make chalk marks on their log before starting but will not be allowed to make axe marks or to strike the block inside the cutting area, except DOGHOLDS.
- 1.6 Any competitor who chops through any dog hold shall be disqualified.
- 1.7 Blocks must be completely severed with axe, not pushed off by hand or axe.

CANLOG

2. Equipment / Material Specifications

- 2.1 Championship blocks must be a minimum of 11”.
- 2.2 All axes must be pinned through the axe head and handle.

3. Show Centre Recommendations

- 3.1 It is recommended that chopping blocks be between 10” – 14” diameter and be free of knots in the chopping area.
- 3.2 Larger diameter blocks may be used in team events.
- 3.3 Recommend stand is 28” high (bottom of block).

4. Safety Recommendations

As per Common Safety Rules.

CANLOG

EVENT NAME: CHOPPING SPRINGBOARD

(Jigger Board or Tree Felling)

1. Event Rules

- 1.1 The event starts on the word "GO" – STOPS when the TOP (Block) is severed.
- 1.2 Logs not to be cut through from one side. There must be one chip of wood taken from the back of the block.
- 1.3 In all wood chopping events, any competitor SLABBING his block will be DISQUALIFIED, unless they have taken precautionary measures approved by the Official (Judge) with the use of rubber bands or nails.
- 1.4 A slab is defined as that portion of the log which is dislodged as a result of a run to sawcut or foothold but must measure 1/2" or over in thickness at the end of a saw cut.
- 1.5 Each competitor will be allowed to make chalk marks on their log before starting but will not be allowed to make axe marks or to strike the block inside the cutting area, except DOGHOLDS.
- 1.6 Blocks must be completely severed with axe, not pushed off by hand or axe.
- 1.7 Springboard holes must be cut in such a manner so that no benefit is obtained from previously cut holes.

CANLOG

- 1.8 Trimming of sapwood or deeper is prohibited unless for special reasons and then ONLY after permission obtained by Judge (Official). Tree may only be scraped clean, NOT slabbed clean.
- 1.9 Boards must be balanced without any hanging devices.

2. Equipment / Material Specifications

- 2.1 Championship blocks must be a minimum of 11”.
- 2.2 All axes must be pinned through the axe head and handle.
- 2.3 Two board springboard trees to be (9ft. high) from the ground.
- 2.4 One board springboard trees to be (6 ft. high) from the ground.
- 2.5 All springboard trees to be butt end down in the ground.

3. Show Centre Recommendations

- 3.1 It is recommended that chopping blocks be between 10” – 14” diameter and be free of knots in the chopping area.
- 3.2 Springboard tree top should be equal or bigger than the Chopping Block.

4. Safety Recommendations

- 4.1 A 1 1/2” slabbing strap is allowed above springboard holes.

CANLOG

EVENT NAME: CHOPPING HARD HIT

1. Event Rules

- 1.1 The event starts on the word "GO" – STOPS when the TOP (Block) is severed (Standing Block), or when the block is completely severed (Underhand).
- 1.2 The contestant who severs the block with the least number of blows in a 2-minute time limit is the winner.
- 1.3 In hard hit chopping events, the competitor must make the decision whether they can afford the time it takes to request the judge to rule on what they feel is a dangerous chip.
- 1.4 If the chip is ruled dangerous by the Judge the competitor must clear the chip with the back of their axe (not with their hand).
- 1.5 Logs not to be cut through from one side only and must be chopped clean.
- 1.6 In all wood chopping events, any competitor SLABBING their block will be DISQUALIFIED, unless they have taken precautionary measure approved by the Official (Judge) with the use of rubber bands or nails.
- 1.7 A slab is defined as that portion of the log, which is dislodged as a result of a run to saw cut or foothold, but must measure 1/2" or over in thickness at the end of a saw cut.

CANLOG

- 1.8 Each competitor will be allowed to make chalk marks on their log before starting but will not be allowed to make axe marks or to strike the block inside the cutting area, except FOOHOLDS or DOGHOLDS.
- 1.9 Blocks must be completely severed with axe, not pushed off by hand or axe.

2. Equipment / Material Specifications

- 2.1 Championship blocks must be a minimum of 11”.
- 2.2 All axes must be pinned through the axe head and handle.

3. Show Centre Recommendations

It is recommended that chopping blocks be between 10” – 14” diameter and be free of knots in the chopping area.

4. Safety Recommendations

As per Common Safety Rules.

CANLOG

EVENT NAME: CHOPPING POLE FALLING (or Hand Tree Falling)

1. Event Rules

- 1.1 The event starts on the word "GO" – STOPS when the POLE hits the ground.
- 1.2 Pole not to be completely cut from one side.
- 1.3 Each competitor will be allowed to make chalk marks on his log and tree before starting but will not be allowed to make axe marks.
- 1.4 Any type of axe may be used.
- 1.5 Pole must be chopped with the axe, not pushed off by hand or axe.
- 1.6 To qualify, pole must hit the peg and must not roll onto the peg.
- 1.7 Time limit is 5 minutes.

2. Equipment / Material Specifications

- 2.1 The peg should be 14" to 16" length and no wider than 12".
- 2.2 The Poles should be of the same length and the pegs a common distance from bottom of the pole.
- 2.1 All axes must be pinned through the axe head and handle.

3. Show Centre Recommendations

- 3.1 It is recommended that the poles have standard 10' to 14' butts and be 20 ft. to 25 ft. tall, above the ground.

4. Safet Recommendations

- 4.1 Leg and foot protection is recommended.

CANLOG

EVENT NAME: EYE SPLICING

1. Event Rules

- 1.1 The event starts on the word "GO" from a given position.
- 1.2 Event time STOPS when contestant indicates by raising their hands.
- 1.3 New 3/4" wire core regular lay line shall be used.
- 1.4 Three full tucks in line.
- 1.5 Use own or supplied Martin spikes.
- 1.6 Judges decision to neatness.
- 1.7 Loops will be penalized 3 seconds.
- 1.8 Holding spikes will be in at start.

2. Equipment / Material Specifications

- 2.1 New 3/4" wire core regular lay line shall be used.

3. Show Centre Recommendations

- 3.1 Stage event in front of crowd with competitors equally positioned.
- 3.2 Have as many contestants as possible competing at once.

4. Safety Recommendations

- 4.1 Recommend the use of gloves.

CANLOG

EVENT NAME: JOUSTING

1. Event Rules

- 1.1 Open contest for all contestants.
- 1.2 Contestants joust from boom logs formed in a square or rectangle.
- 1.3 10 ft. long poles are desirable but not mandatory.
- 1.4 Poles must be heavily padded on end.
- 1.5 Broken poles must be discarded immediately.
- 1.6 Last man on boom logs is to be the declared winner.
- 1.7 Loss of fall will be declared when losing contact with the log with both feet.
- 1.8 Deliberate splashing of water before TIME IN is called will result in loss of fall to the guilty contestant.

2. Equipment / Material Specifications

- 2.1 Contestant must be attired in shirts and pants (in all DIVISIONS)
- 2.1 Un-machined logs anchored together.

3. Show Centre Recommendations

- 2.1 Stage event in birling pond or area.

4. Safety Recommendations

- 4.1 Make sure that placement of boom logs allows competitor to come off without injuring themselves against the side of the pool.
- 4.2 No pike poles should be used.

CANLOG

EVENT NAME: MOLLY HOGAN RACE

1. Event Rules

- 1.1 The event starts on the word "GO" from a given position or line.
- 1.2 The event time STOPS when Molly Hogan is dropped and hits the ground.
- 1.3 Race from starting point.
- 1.4 Pick up strand from 3/4" line.
- 1.5 Finished Molly Hogan must be the same size as illustrated at the Judge's stand.
- 1.6 Judges decision as to neatness and size.
- 1.7 Fastest time is the winner.

2. Equipment / Material Specifications

- 2.1 All molly strands should be from 3/4" cable and of equal length.

3. Show Centre Recommendations

- 3.1 Stage event close in front of crowd with competitors equally placed in a row.

4. Safety Recommendations

- 4.1 Cable strands should be new in quality.

CANLOG

EVENT NAME: OBSTACLE POLE BUCKING (or Obstacle Pole)

1. Event Rules

- 1.1 The event starts on the word "GO".
- 1.2 The event time STOPS after completing all the given Obstacles and returning to and touching starting point with the hand.
- 1.3 A one-minute warm-up will be given prior to each event heat.
- 1.4 Saw must be shut off at the Start and on the ground with hand on the end of the pole, the other hand NOT touching the saw.
- 1.5 Contestant must get on the pole below given mark and run up the pole.
- 1.6 Start the saw after leading foot is planted completely across the upper line.
- 1.7 Buck from both sides with underside of the bar.
- 1.8 Shut saw off before crossing top given line continuing on with the rest of the race.
- 1.9 Contestant must run down pole and plant leading foot below, and not touching, the lower line before getting off the pole.
- 1.10 Return to and touch the starting point with hand.
- 1.11 Saw must be carried back to the FINISH line.
- 1.12 First initial cut will, at minimum, bury the BAR AND CHAIN.
- 1.13 Finished cuts must be within 1" of each other at all points.

CANLOG

- 1.14 One 1-inch rule to be measure including remaining wood and width of saw cut.
- 1.15 Disc cut off shall not be more than 2" thick at any point.
- 1.16 A slab is defined as that portion of the log, which is dislodged as a result of a run to saw cut but must measure 1/2" or over in thickness at the end of saw cut.
- 1.17 Evidence of a complete disc must be present.
- 1.18 No guidelines to be marked on cutting log.
- 1.19 Caulk footwear must be worn.
- 1.20 A one-minute warm-up will be given prior to each event heat.
- 1.21 Except during stated competition, chain saw may not be run while show is in progress.
- 1.22 No delays will be allowed due to mechanical failures of chain saws.
- 1.23 Novice competitors will make a single cut in one direction, using the underside of the bar.
- 1.24 In the event that a contestant falls off of the pole on the way up, they may return to the bottom of the pole & remount below the lower line.
- 1.25 In the event that a contestant falls off the pole onto the bunk log after making the cut, they will be disqualified.

CANLOG

2. Equipment / Material Specifications

- 2.1 See Event drawing (Obstacle Pole Bucking)
- 2.2 Saw must be hand started (no Wind-up or Automatic starters).
- 2.3 In all chainsaw events, one man saw, with one cylinder, max. 140 C.C. stock displacement, on carburetor.
- 2.4 No guidelines to be marked on cutting log.
- 2.5 End of pole to 4 ft. – 6 ft. off the ground.
 - 2.5.1 Measuring down from the top 5 ft. to the TOP LINE.
 - 2.5.2 Measuring down from the top 10 ft. to the centre of the support log or saddle.
 - 2.5.3 Measuring down from the top 25 ft. to the BOTTOM LINE.
 - 2.5.4 Measuring down from the top 30 ft. (Optional) to the end of the pole.
- 2.6 Make the running distance on the ground equal on both sides of the pole.

3. Show Centre Recommendations

- 3.1 It is recommended that the sawing end of the pole be a standard size of 8" in diameter.
- 3.2 That the base of the pole be anchored to the ground.
- 3.3 Fuel must be uncompressed fuel or fuel mixture (eg. no NOS).

CANLOG

4. Safety Recommendations

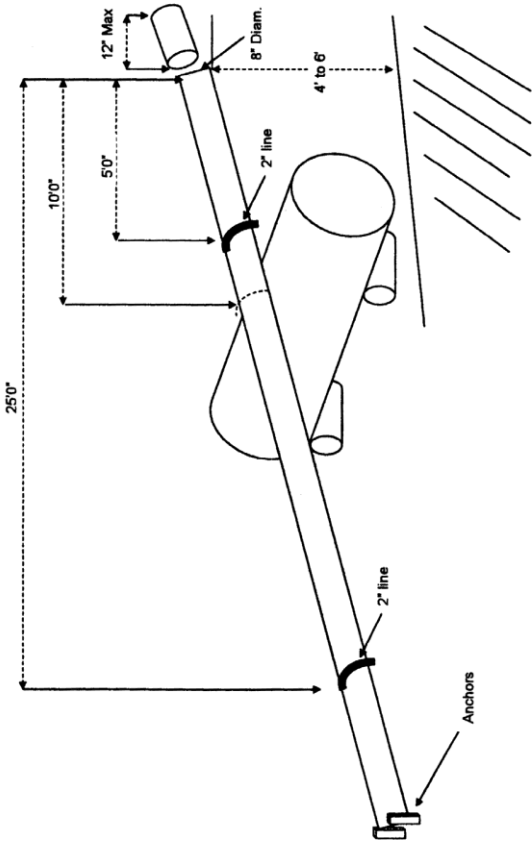
4.1.a Leg protection is recommended.

1.b Novice division competitors, leg protection is mandatory.

4.2 All competitors in all divisions are required to have a working chain brake on their saw.

CANLOG

OBSTACLE POLE BUCKING



CANLOG

EVENT NAME: PEAVEY LOG ROLLING (or PV Log Rolling)

1. Event Rules

- 1.1 The event starts on the word "GO" from THE BOTTOM of log ramp.
- 1.2 The event time STOPS when the log hits square with upper bumper.
- 1.3 The log must be rolled up the ramp with the peavey only.
- 1.4 No use of the hands on the log will be allowed.

2. Equipment / Material Specifications

- 2.1 See event drawing (PV log rolling).
- 2.2 Log should be 13 ft. long and 12" – 16" in diameter.
- 2.3 The ramp should be 18 ft. 6 in. slope.
- 2.4 The ramp should rise 4 ft. from the ground.
- 2.5 The top of the ramp area should be 4 ft. including log stop bumper.
- 2.6 Peavey to be supplied.

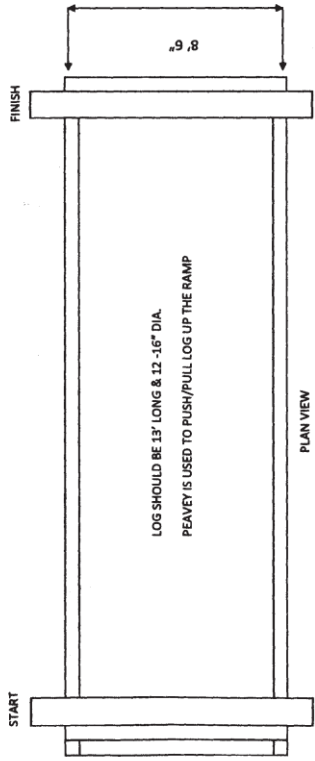
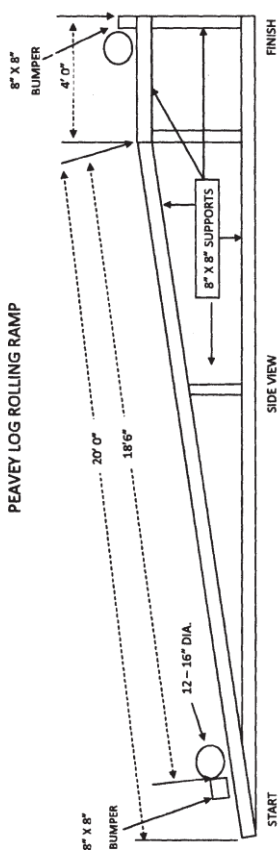
3. Show Centre Recommendations

- 3.1 Stage event in show arena where crowd can see clearly.
- 3.2 Cedar birling logs work for this event but splinter easily, Pine may work better with less splinters.

4. Safety Recommendations

- 4.1 Spotter should be used to make sure log doesn't roll back on top of competitor.

CANLOG



CANLOG

EVENT NAME: ROLLING PIN THROW (or Rolling Pin Toss)

1. Event Rules

- 1.1 The event starts when cleared by the Judge.
- 1.2 The event time STOPS after completing throws.
- 1.3 Scored 2 points scored for knocking hat off.
- 1.4 1 point scored for hitting hat.
- 1.5 Highest total of the three qualifying throws wins.
- 1.6 Ties will be broken using one throw.
- 1.7 If dummy is knocked over but not hitting the hat no points will be scored.
- 1.8 Feet may not cross the line till the rolling pin hits.

2. Equipment / Material Specifications

- 2.1 Use a metal hat.
- 2.2 Centre of hat 60" from the ground.
- 2.3 Throwing line 20 ft. from centre of the hat down at an angle to the line.
- 2.4 The same group of three rolling pins to throw per contestant.

3. Show Centre Recommendations

- 3.1 Dummy and hat supplied by show.
- 3.2 Dummies should set up on level ground.

4. Safety Recommendations

- 4.1 Area around dummies should be kept clear.

CANLOG

EVENT NAME: WATER BOIL (or Kettle Boil) DOUBLES EVENT

1. Event Rules:

- 1.1 Using a block of cedar (min diameter ~20cm ~8in), a hatchet/axe and 3 matches, the competitors must bring to a boil, a mixture 250 ml (8 ounces) of pre-mixed soapy water in a 1.36 l (46 ounce) can (apple juice/tomato juice can).
- 1.2 Competitors must supply their own hatchet/axe. Only one hatchet may be used to complete the event. A knife may be used in addition to the hatchet, however only one tool can be used at a time. Teams will be Dq'd if both competitors are using a tool at the same time.
- 1.3 Fires must be built on cookies.
- 1.4 Competitors may obtain more matches if necessary but only two (2) at a time from their judge.
- 1.5 The starting signal is: Timers ready, Competitors ready, One, Two, GO.
- 1.6 Starting prior to GO will result in a ten (10) second penalty.
- 1.7 If any spillage from the can occurs prior to reaching a boil, a new can must be obtained from event judge or field event central. If not done a DQ will result.
- 1.8 Time will stop when the water boils over edge of the can.
- 1.9 The event has a ten (10) minute time limit.

CANLOG

2. Equipment / Material Specifications

- 2.1 Matches must be wooden. Recommend strike anywhere brands such as Red Bird or Eddy. The show centre may also choose to supply a striker for each team to ensure a reliable light.
- 2.2 One (1) wooden cookie may be used as a splitting platform.
- 2.3 First aid and fire extinguishers (or water hoses) should be on site and available immediately.

3. Show Centre Recommendations

- 3.1 Host will supply dried cedar block as knot free as possible, 3 matches/ striker, and a can of required soapy water.

4. Safety Recommendations

- 4.1 Fires must be a safe distance from the spectators and other competing teams. Safe distance will be determined in advance of the event by the head judge and be made known to competitors at the morning safety meeting (due to any site-specific requirements).
- 4.2 The judge may stop any competitor competing if it is felt a serious injury has occurred. The partner may continue the event and a time will be recorded if the can eventually boils over before the time limit.

Note:

Event may also be run as a single person event, as opposed to a team event. If so, in the event that the judge determines that a serious injury has occurred, the injured competitor will not be allowed to continue, thus resulting in disqualification.

Published by the “Canadian Loggers’ Sports Association